

Special features

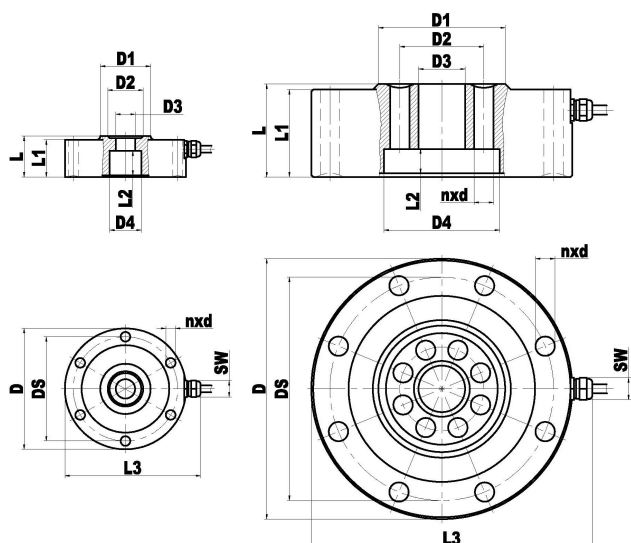
- High accuracy
- Dual or triple bridge
- Tension/Compression
- Low profile



Outline Dimensions (mm)

1, 2, 5, 10, 20, 50 kN

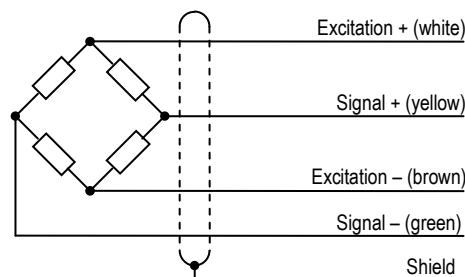
100, 200, 500 kN



Specifications

Accuracy class	0.2
Rated Capacities	1, 2, 5, 10, 20, 50, 100, 200, 500 kN
Safe Overload	130 %F.S.
Ultimate Overload	150 %F.S.
Rated Output, $\pm 2\%$	1,5 mV/V
Accuracy class	0.2
Zero balance	2 % F.S.
Non-linearity	0.2 %F.S.
Hysteresis	0.2 %F.S.
Creep (30 min)	0,1 %F.S.
Temperature Effect	
- On Zero	0.05 %F.S./10 °C
- On Output	0.05 %F.S./10 °C
Input Impedance	1...50 kN: 725 Ω \pm 20 Ω 100...500 kN: 1075 Ω \pm 20 Ω
Output Impedance	1...50 kN: 700 Ω \pm 10 Ω 100...500 kN: 1050 Ω \pm 10 Ω
Insulation Impedance	> 5000 M Ω
Excitation	
- Recommended	10 V
- Maximum	15 V
Temperature range	
- Compensated	0 ... + 50 °C
- Operating	- 10 ... + 70 °C
Protection	IP54
Deflection at max load	0.1 mm
Construction	Steel
Cable	1...50 kN: LiFYDY 4 x 0,05 100...500kN: LiYCY4 x 0,14 2 m

Wiring diagram



	Capacity kN									
	1	2	5	10	20	50	100	200	500	
D	50	50	50	65	80	100	140	200	260	
DS	42	42	42	56	68	85	120	170	220	
D1	22	22	22	27	37	50	68	108	148	
D2	16	16	16	19	24	33	45	70	95	
D3	8,4	8,4	8,4	10,4	14,4	20,4	25	35	52	
M*	M8	M8	M8	M10	M14	M20	M30	M42	M60	
D4	14	14	14	17	22	31	62	92	126	
L	18	18	18	22	30	40	50	60	80	
L1	17	17	17	20	28	38	47	57	77	
L2	11	11	11	13	18	25	13	18	25	
L3	56	56	56	73	88	108	152	212	272	
SW	Φ 4	Φ 4	Φ 4	11	11	11	16	16	16	
nxd	4,2	4,2	4,2	5,2	6,3	8,4	10,4	14,4	20,4	
M*	M4	M4	M4	M5	M6	M8	M10	M14	M20	

* made-to-order